

Packaging Symbols Explained

REF Reference number

LOT Lot number



Protect from direct sunlight



Store in a dry place



Maximum storage temperature



Expiry Date



For single use only

STERILE EQ Sterilized by Ethylene Oxide



Do not use if packaging is damaged



Manufacturer



Date of Manufacturing



PAHSCO

SURIMEX

Surgical Import Export Distributor

Wound Drainage

PVC Drain / Set

Silicone Drain / Set

Silicone Fluted Drain Set

Instructions for Use

www.surimex.com.au

Your Distributor For Australia and New Zealand

SURIMEX

15 Redland Drive Mitcham
VIC 3132 Australia
T +613 8833 3804
www.surimex.com.au



PAHSCO

Pacific Hospital Supply Co., Ltd
4F No. 160 Daye road,
Beitou District, Taipei 112, Tawian

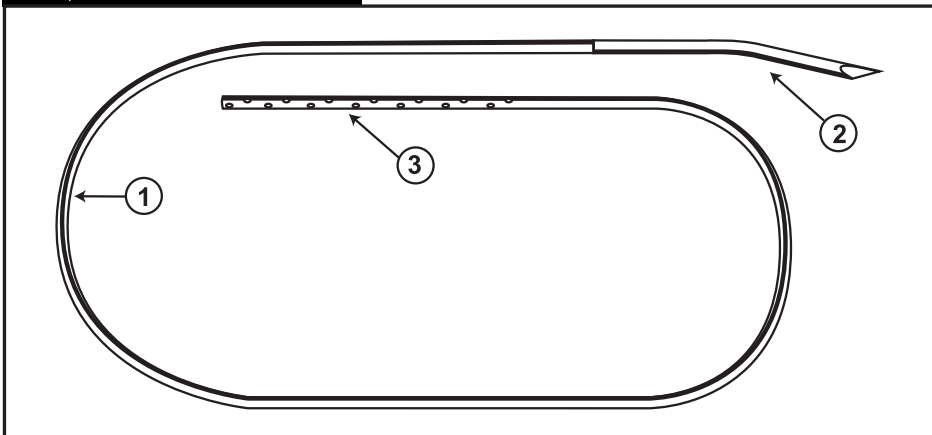
CE 0086

Product Description

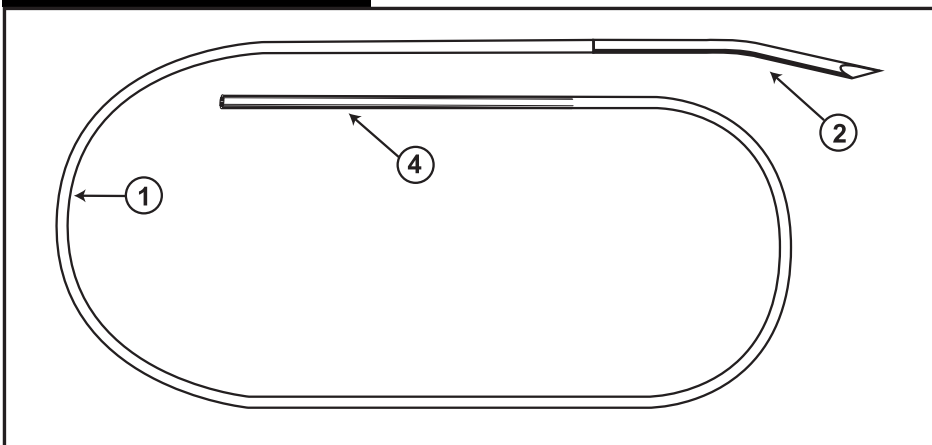
The drain is intended to use for post-operative wound drainage. Available as PVC / Silicone / Silicone Fluted Drain in different sizes and also with pre-connected Trocar:

- ① Drain
- ② Pre-attached Trocar
- ③ Drain Perforations
- ④ Drain Channels

PVC, Silicone Drain / Set



Silicone Fluted Drain Set



Product Features

PVC Drain / Set

- 100% medical grade PVC.
- Sterilized package.

Silicone Drain / Set

- 100% medical grade Silicone.
- Sterilized package.

Silicone Fluted Drain Set

- Multiple narrow ducts structures instead of perforation.
- Reduce withdrawal difficulty against tissue in growth.
- Rigid structure offer excellent kink-resistant character.

Procedure

1. Insert the drainage tube below the incision either by surgical procedure or using the attached Trocar.
2. Place the perforated or duct part of the drain tube in the area to be drained.
3. Cut the other end of the tubing near to the Trocar (if used), and connect to the inlet port of the Reservoir to achieve a closed vacuum drainage function.
4. Through the drainage function of the Reservoir, the body fluid is collected into the reservoir and the drainage is therefore undergoing.

Warnings

- Do not use wrong size connector. Use of improper connector, excess-force connection or poor connection will lead to a breakage of the tube; incident may occur.
- Additional perforations should not be made in the drains.
- Avoid suturing through drains.
- Drain removal should be done gently by hand, avoid pulling the implanted part of the drain, if you do this the drainage is likely to break.
- Surgical removal may be necessary if drain is difficult to remove or breaks.

After use, medical products and their accessories pose a potential biological hazard. For this reason, products and their accessories should be handled and disposed of in accordance with recognized medical procedures, and in compliance with the relevant legal provisions and local regulations.